

UNDER COUNTER REFRIGERATORS

Features

- CFC free refrigerant and foam insulation
- Electronic thermostat and digital LED temperature display for accurate control and easy reading
- Easy to mount 2.5" casters (lockable in front) are standard with all units
- Self-closing doors that remain open at 90 degrees
- Magnetic gasket can be replaced without any tools
- Adjustable, heavy-duty epoxy coated wire shelves (one per door)
- Stainless steel framework construction
- Auto defrosting and auto evaporation of condensation water
- Interior: 304 stainless steel
- Exterior: 430 stainless steel
- R-600A Natural refrigerant Models IUC28 IUC36 IUC48 IUC61
- R-290 Natural refrigerant Model IUC72
- Temperature: 33 to 40°F / 0.5 to 4°C
- Electrical: 115/60/1 with NEMA 5-15P plug, 10ft cord



IUC28R*



IUC36R



IUC48R*



IUC61R*



IUC72R

Options - Drawers**

IUC28R-2D | IUC36R-2D | IUC36R-4D | IUC48R-2D | IUC48R-4D | IUC61R-2D | IUC61R-4D
See page 37 for pan configurations for units with drawers.

**Available by custom order only. Please contact our Sales Department for availability and lead time.

Specifications

DESIGNED TO OPERATE IN AMBIENT TEMPERATURES BETWEEN 40F-90F FOR OPTIMUM PERFORMANCE.



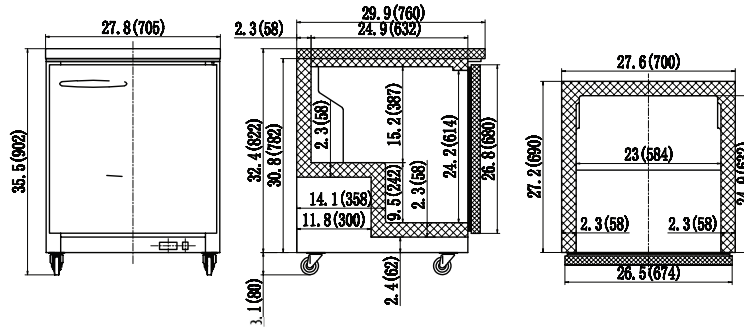
Model	Doors	Ext. Dimensions W X D X H (In)	Int.. Dimensions W X D X H (In)	Amps	H.P	Ship Weight
IUC28R*	1	27.8 X 29.9 X 35.5	23.0 X 24.9 X 24.2	1.5	3/8	179 lbs
IUC36R	2	36.4 X 29.9 X 35.5	31.5 X 24.9 X 24.2	2	3/8	195 lbs
IUC48R*	2	48.2 X 29.9 X 35.5	43.5 X 24.9 X 24.2	3	3/8	280 lbs
IUC61R*	2	61.2 X 29.9 X 35.5	56.5 X 24.9 X 24.2	3	3/8	331 lbs
IUC72R	3	71.7 X 29.9 X 35.5	67.0 X 24.9 X 24.2	3.5	3/8	380 lbs

UNDER COUNTER REFRIGERATORS

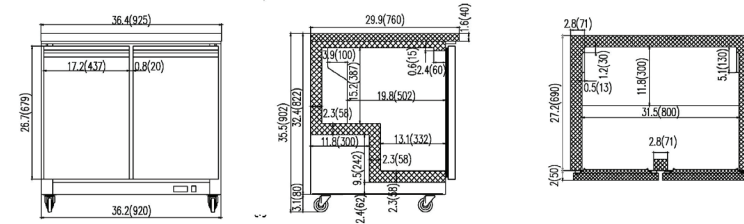


Dimensions in inches (mm)

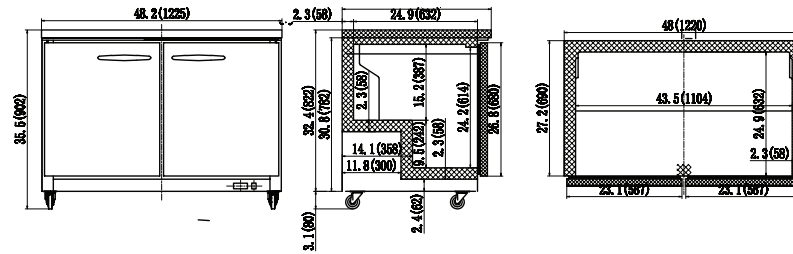
IUC28R*



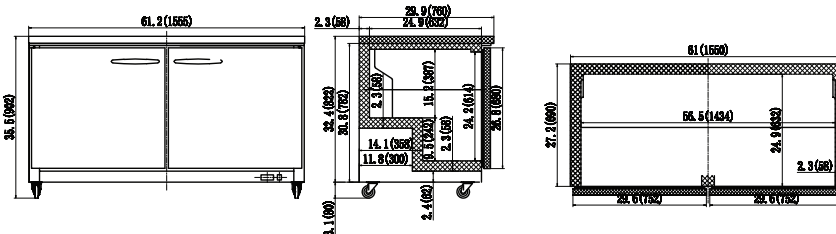
IUC36R



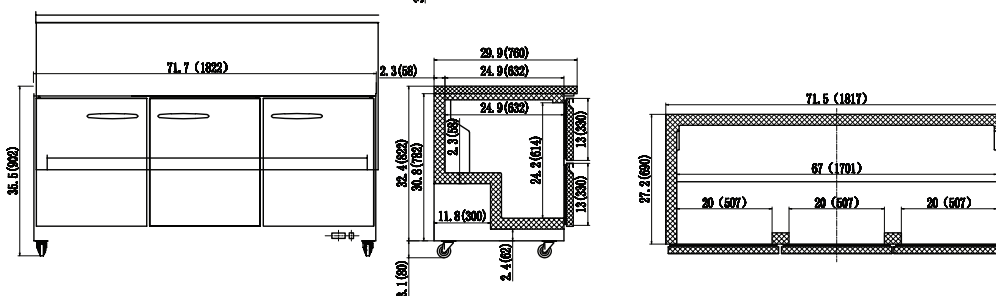
IUC48R*



IUC61R*



IUC72R



Tel.: 786.600.4687 / Toll Free: 844.218.8477
Fax: 786.661.4100

3560 NW 56th St.
Fort Lauderdale, FL 33309 USA



Tel.: 514.737.9701 / Toll Free: 888.275.4538
Fax: 514.342.3854 / Toll Free: 877.453.8832
sales@mvpgroupcorp.com

5659 Royalmount Ave.
Montreal, QC H4P2P9 CANADA



www.mvpgroupcorp.com